



tecumseh

50 Hz

C O N D E N S I N G U N I T

pac3
by tecumseh



engineered for severe outdoor conditions



durable

engineered for durability
with optimizing fan
condenser efficiency



safety-centric

EC motor to eliminate
sparking and enclosure shield
against refrigerant entry



easy to install

essential electrical
equipment supplied
pre-installed

REFRIGERANT



APPLICATIONS

**cold room
reach in
display case**

TECHNOLOGIES





MODEL NOMENCLATURE

PAC	4	5	46	Z	XG	FB
name Packaged Condensing Unit	application 2 = Low Back Pressure 4 = High Back Pressure 9 = Medium/High Back Pressure	capacity number of digits of cooling capacity	capacity first two digits in rating point capacity @60Hz (46,000 Btu/h)	refrigerant C = R-407C W = R-407C / R-22 Y = R-134a Z = R-404A	voltage code XG, XN, GE, XC, GF, etc	accessories S-Standard FB-Fully built

COOLING PERFORMANCE

LOW BACK PRESSURE (LBP)

R-404A - RECIPROCATING MODELS

model	platform	HP	amb. temp.	EN13215 Evap -35°C / Amb 32°C / RG 20°C / SC 3K						current (A)		
				capacity (W)					power input (W)	COP (W/W)	RLA*	LRA*
				-40°C	-35°C	-30°C	-25°C	-20°C				
PAC2470Z	SMALL	1.6	32°C	706	957	1251	1587	1962	1145	1.39	1ø=7.9	1ø=65
			35°C	656	898	1179	1499	1857				
			38°C	607	839	1107	1412	1752				
			43°C	526	740	987	1267	1578				
PAC2495Z	SMALL	2.5	32°C	815	1180	1587	2036	2526	1707	1.33	1ø=8.95 3ø=3.1	1ø=65 3ø=31
			35°C	740	1095	1490	1923	2394				
			38°C	663	1010	1391	1809	2261				
			43°C	533	865	1226	1616	2035				
PAC2512Z	SMALL	3.6	32°C	1163	1683	2276	2942	3680	2248	1.31	1ø=13.2 3ø=4.7	1ø=83 3ø=29
			35°C	1047	1554	2129	2773	3485				
			38°C	931	1424	1981	2603	3289				
			43°C	737	1207	1733	2318	2961				
PAC2516Z	MEDIUM	4.4	32°C	1477	2225	3100	4091	5179	2646	1.55	3ø=4.8	3ø=45.5
			35°C	1309	2022	2855	3798	4835				
			38°C	1143	1822	2613	3507	4493				
			43°C	875	1497	2217	3031	3931				
PAC2522Z	MEDIUM	5.5	32°C	2111	2991	4010	5160	6427	3298	1.56	3ø=5.7	3ø=56
			35°C	1914	2756	3745	4850	6067				
			38°C	1720	2541	3484	4543	5710				
			43°C	1402	2176	3056	4040	5126				
PAC2525Z	MEDIUM	6.1	32°C	2310	3276	4362	5557	6845	3731	1.49	3ø=6.3	3ø=56
			35°C	2095	3034	4084	5237	6478				
			38°C	1746	2637	3627	4708	5872				
			43°C	1541	2404	3356	4395	5511				

*RLA: Rated Load Ampere / MCC: Maximum Continuous Current / LRA: Lock Rotor Ampere



COOLING PERFORMANCE

MEDIUM/HIGH BACK PRESSURE (M/HBP)

R-404A - RECIPROCATING MODELS

model	platform	HP	amb. temp.	EN13215 Evap 5°C / Amb 32°C / RG 20°C / SC 3K						current (A)			
				capacity (W)					power input (W)	COP (W/W)	RLA*	LRA*	
				-15°C	-10°C	-5°C	0°C	5°C					
PAC4516Z	SMALL	1.4	32°C	1873	2292	2740	3217	3723	1343	2.04	1ø=6.8 3ø=2.25	1ø=45 3ø=20	
			35°C	1765	2167	2594	3046	3525					
			38°C	1657	2042	2448	2875	3326					
			43°C	1476	1832	2203	2590	2995					
PAC4522Z	SMALL	2	32°C	2349	2829	3339	3881	4458	1747	1.91	1ø=11.4 3ø=3.2	1ø=60 3ø=20	
			35°C	225	2684	3169	3681	4227					
			38°C	2099	2537	2997	3481	3995					
			43°C	1886	2291	2709	3146	3610					
PAC4532Z	SMALL	2.7	32°C	3541	4333	5185	6094	7062	2495	2.08	1ø=17.6 3ø=4.12	1ø=85 3ø=30	
			35°C	3325	4091	4909	5779	6701					
			38°C	3108	3848	4632	5461	6339					
			43°C	2744	3439	4168	4932	5735					
PAC4538Z	MEDIUM	3.3	32°C	4645	5627	6654	7715	8799	3324	2	1ø=20.2 3ø=6.1	1ø=126 3ø=45	
			35°C	4390	5337	6321	7332	8365					
			38°C	4132	5044	5985	6949	7930					
			43°C	3698	4553	5424	6308	7207					
PAC4544Z	MEDIUM	3.8	32°C	4900	6158	7527	8991	10530	3501	2.15	3ø=6.7	3ø=42	
			35°C	4541	5745	7052	8445	9910					
			38°C	4187	5337	6581	7905	9295					
			43°C	3609	4670	5809	7017	8284					
PAC4573Z	LARGE	5.8	32°C	8167	9912	11788	13776	15857	5532	2.13	3ø=11.6	3ø=56	
			35°C	8681	10621	12670	14804	16993					
			38°C	8167	10030	11987	14018	16099					
			43°C	7305	9042	10848	12712	14619					
PAC4581Z	LARGE	6.3	32°C	9192	11208	13351	15589	17888	6240	2.14	3ø=12.7	3ø=83	
			35°C	8681	10621	12670	14804	16993					
			38°C	8167	10030	11987	14018	16099					
			43°C	7305	9042	10848	12712	14619					

MEDIUM/HIGH BACK PRESSURE (M/HBP)

R-134a - RECIPROCATING MODELS

model	platform	HP	amb. temp.	EN13215 Evap 5°C / Amb 32°C / RG 20°C / SC 3K						current (A)			
				capacity (W)					power input (W)	COP (W/W)	RLA*	MCC*	LRA*
				-15°C	-10°C	-5°C	0°C	5°C					
PAC4518Y	SMALL	1.4	32°C	1709	2280	2877	3545	4284	1354	2.12	1ø=16.75 3ø=2.5	1ø=10.7 3ø=4.91	1ø=40 3ø=18
			35°C	1609	2162	2738	3383	4098					
			38°C	1512	2047	2604	3226	3916					
			43°C	1354	1862	2388	2974	3623					
PAC4525Y	SMALL	2.3	32°C	2229	2966	3720	4553	5463	1757	2.12	1ø=9.5 3ø=3.38	1ø=14 3ø=5.9	1ø=52 3ø=26
			35°C	2097	2811	3542	4347	5226					
			38°C	1967	2660	3367	4144	4991					
			43°C	1757	2414	3082	3814	4609					

*RLA: Rated Load Ampere / MCC: Maximum Continuous Current / LRA: Lock Rotor Ampere



COOLING PERFORMANCE

MEDIUM/HIGH BACK PRESSURE (M/HBP)

R-404A - SCROLL MODELS

model	platform	HP	amb. temp.	EN13215 Evap 5°C / Amb 32°C / RG 20°C / SC 3K						current (A)		
				capacity (W)					power input (W)	COP (W/W)	RLA*	LRA*
				-15°C	-10°C	-5°C	0°C	5°C				
PAC4536Z	MEDIUM	3	32°C	4378	5173	6027	6935	7887	2384	2.53	1ø=11.8 3ø=5.1	1ø=76 3ø=45
			35°C	4187	4946	5759	6622	7526				
			38°C	3986	4709	5481	6298	7154				
			43°C	3629	4291	4993	5734	6510				
PAC4548Z	MEDIUM	4	32°C	6500	7692	9006	10440	11995	3584	2.51	3ø=7	3ø=60
			35°C	6219	7354	8605	9971	11452				
			38°C	5930	7008	8195	9493	10903				
			43°C	5432	6414	7497	8682	9975				
PAC4560Z	LARGE	5	32°C	7914	9351	10923	12623	14448	4172	2.62	3ø=8	3ø=60
			35°C	7582	8957	10459	12085	13831				
			38°C	7230	8540	9971	11520	13186				
			43°C	6599	7797	9104	10520	12048				
PAC4572Z	LARGE	6	32°C	9153	10786	12552	14438	16433	5353	2.34	3ø=9.4	3ø=65
			35°C	8755	10320	12017	13832	15758				
			38°C	8330	9825	11448	13189	15043				
			43°C	7561	8930	10423	12036	-				
PAC4584Z	LARGE	7	32°C	10035	11962	14079	16364	18791	6060	2.32	3ø=10	3ø=85
			35°C	9634	11477	13494	15666	17972				
			38°C	9240	11005	12933	15008	17213				
			43°C	8598	10249	12051	13999	16089				
PAC4596Z	EXTRA LARGE	8	32°C	10973	13177	15584	18104	20759	6696	2.32	3ø=12.1	3ø=117
			35°C	10433	12529	14799	17217	19748				
			38°C	9892	11881	14035	16331	18739				
			43°C	8988	10799	12760	14856	-				
PAC4611Z	EXTRA LARGE	9	32°C	12970	15504	18156	20921	23835	8251	2.20	3ø=13.6	3ø=117
			35°C	12360	14776	17301	19934	22719				
			38°C	11749	14046	16444	18947	21604				
			43°C	10723	12823	15010	17299	19748				
PAC4612Z	EXTRA LARGE	10	32°C	14964	17755	20558	23382	26328	9933	2.07	3ø=15.5	3ø=121
			35°C	14269	16932	19604	22302	25142				
			38°C	13574	16108	18648	21222	23959				
			43°C	12411	14732	17056	19428	22000				
PAC4614Z	2 EXTRA LARGE	12	35°C	18349	22067	26364	31295	36889	11150	2.55	16.9	121
			38°C	17583	21122	25196	29877	35202				
			43°C	16196	19411	23110	27352	32182				
PAC4617Z	2 EXTRA LARGE	14	35°C	20367	24494	29264	34737	40947	13960	2.60	21.5	149
			38°C	19517	23445	27968	33163	39074				
			43°C	17978	21546	25652	30361	35722				

*RLA: Rated Load Ampere / MCC: Maximum Continuous Current / LRA: Lock Rotor Ampere



COOLING PERFORMANCE

HIGH BACK PRESSURE (HBP)

R-407C - SCROLL MODELS

model	platform	HP	amb. temp.	EN13215 Evap 5°C / Amb 32°C / RG 20°C / SC 3K								current (A)	
				capacity (W)						power input (W)	COP (W/W)	RLA*	LRA*
				-15°C	-10°C	-5°C	0°C	5°C	7.2				
PAC5570W	LARGE	6	35°C	7448	8598	10748	12730	15238	16483	4446	2.42	3ø=9.1	3ø=65
			38°C	6992	8113	9966	12075	14488	15685				
			43°C	-	7610	9367	11391	13699	14820				
PAC5582W	LARGE	7	35°C	8503	9833	12037	14554	17414	18829	4922	2.45	3ø=11.2	3ø=85
			38°C	7999	9272	11381	13804	16559	17927				
			43°C	-	8693	10707	13015	15656	16977				
PAC5595W	EXTRA LARGE	8	35°C	9823	11353	13899	16806	20112	21746	5778	2.41	3ø=12.9	3ø=117
			38°C	9234	10707	13148	15941	19124	20701				
			43°C	-	10042	12369	15039	18088	19608				
PAC5611W	EXTRA LARGE	9	35°C	11315	13072	16008	19352	23161	25052	6683	2.40	3ø=14.8	3ø=117
			38°C	10631	12331	15143	18354	22021	23836				
			43°C	-	11562	14241	17319	20824	22580				
PAW5612W	EXTRA LARGE	10	35°C	13053	15086	18478	22335	26724	28909	7468	2.34	3ø=15.6	3ø=121
			38°C	12274	14231	17480	21185	25413	27519				
			43°C	-	13348	16435	19988	24035	26058				

*RLA: Rated Load Ampere / MCC: Maximum Continuous Current / LRA: Lock Rotor Ampere



SPECIFICATIONS

LOW BACK PRESSURE (LBP)

R-404A

model	platform	HP	fan		connection diameter (mm)		dimensions (mm)			standard weight (kg)	fully built weight (kg)
			size (mm)	input (W)	suction	liquid	length	width	height		
PAC2470Z	SMALL	1.8	1x450	250	15.9 (5/8")	9.5 (3/8")	915	436	638	54	60
PAC2495Z	SMALL	2.5	1x450	250	15.9 (5/8")	9.5 (3/8")			638	64	70
PAC2512Z	SMALL	3.8	1x450	250	15.9 (5/8")	9.5 (3/8")			638	64	70
PAC2516Z	MEDIUM	4.4	1x500	380	22.2 (7/8")	12.7 (1/2")			792	94	101
PAC2522Z	MEDIUM	5.5	1x500	380	22.2 (7/8")	12.7 (1/2")			792	94	101
PAC2525Z	MEDIUM	6.1	1x500	380	22.2 (7/8")	12.7 (1/2")			792	94	101

MEDIUM/HIGH BACK PRESSURE (M/HBP)

model	platform	HP	fan		connection diameter (mm)		dimensions (mm)			standard weight (kg)	fully built weight (kg)
			size (mm)	input (W)	suction	liquid	width	depth	height		
PAC4516Z	SMALL	1.4	1x450	250	15.9 (5/8")	9.5 (3/8")	913	416	633	61	67
PAC4522Z	SMALL	2	1x450	250	15.9 (5/8")	9.5 (3/8")			633	63	69
PAC4532Z	SMALL	2.7	1x450	250	15.9 (5/8")	9.5 (3/8")			633	63	69
PAC4538Z	MEDIUM	3.3	1x500	380	15.9 (5/8")	9.5 (3/8")			792	76	82
PAC4544Z	MEDIUM	3.8	1x500	380	15.9 (5/8")	9.5 (3/8")			792	76	82
PAC4573Z	LARGE	5.8	2x450	2x250	22.2 (7/8")	12.7 (1/2")			1149	115	125
PAC4581Z	LARGE	6.3	2x450	2x250	22.2 (7/8")	12.7 (1/2")			1149	115	125

MEDIUM/HIGH BACK PRESSURE (M/HBP)

R-134a

model	platform	HP	fan		connection diameter (mm)		dimensions (mm)			standard weight (kg)	fully built weight (kg)
			size (mm)	input (W)	suction	liquid	width	depth	height		
PAC4518Y	SMALL	1.5	1x450	250	15.8 (5/8")	9.52 (3/8")	915	436	638	63	69
PAC4525Y	SMALL	2	1x450	250	15.8 (5/8")	9.52 (3/8")	915	436	638	63	69



SPECIFICATIONS

MEDIUM / HIGH BACK PRESSURE (M/HBP)

R-404A

model	platform	HP	fan		connection diameter (mm)		dimensions (mm)			standard weight (kg)	fully built weight (kg)
			size (mm)	input (W)	suction	liquid	length	width	height		
PAC4536Z	MEDIUM	3	1x500	380	15.9 (5/8")	9.5 (3/8")	915	436	792	75	82
PAC4548Z	MEDIUM	4	1x500	380	15.9 (5/8")	9.5 (3/8")			792	75	82
PAC4560Z	LARGE	5	2x450	2x250	22.2 (7/8")	12.7 (1/2")			1149	106	118
PAC4572Z	LARGE	6	2x450	2x250	22.2 (7/8")	12.7 (1/2")			1149	106	118
PAC4584Z	LARGE	7	2x450	2x250	22.2 (7/8")	12.7 (1/2")			1149	106	118
PAC4596Z	EXTRA LARGE	8	2x500	2x380	28.6 (1 1/8")	12.7 (1/2")			1271	131	141
PAC4611Z	EXTRA LARGE	9	2x500	2x380	28.6 (1 1/8")	12.7 (1/2")			1271	131	141
PAC4612Z	EXTRA LARGE	10	2x500	2x380	28.6 (1 1/8")	12.7 (1/2")			1271	131	141
PAC4614Z	2 EXTRA LARGE	12	4x500	4x380	28.6 (1 1/8")	15.9 (5/8")	1765	620	1300	150	175
PAC4617Z	2 EXTRA LARGE	14	4x500	4x380	28.6 (1 1/8")	15.9 (5/8")			1300	155	180

HIGH BACK PRESSURE (HBP)

R-407C

model	platform	HP	fan		connection diameter (mm)		dimensions (mm)			standard weight (kg)	fully built weight (kg)
			size (mm)	input (W)	suction	liquid	width	depth	height		
PAC5570W	LARGE	6	2x450	2x250	22.2 (7/8")	12.7 (1/2")	915	436	1149	115	125
PAC5582W	LARGE	7	2x450	2x250	22.2 (7/8")	12.7 (1/2")			1149	115	125
PAC5595W	EXTRA LARGE	8	2x500	2x380	28.6 (1 1/8")	12.7 (1/2")			1271	131	141
PAC5611W	EXTRA LARGE	9	2x500	2x380	28.6 (1 1/8")	12.7 (1/2")			1271	131	141
PAC5612W	EXTRA LARGE	10	2x500	2x380	28.6 (1 1/8")	12.7 (1/2")			1271	131	141



SCOPE OF SUPPLY-STANDARD & FULLY BUILT

LOW BACK PRESSURE (LBP)

R-404A

	PAC2470ZGE-S	PAC2495ZGE-S PAC2495ZXG-S	PAC2512ZXC-S PAC2512ZXG-S	PAC2516ZTZ-S	PAC2522ZTZ-S	PAC2525ZTZ-S	PAC2470ZGE-FB	PAC2495ZGE-FB PAC2495ZXG-FB	PAC2512ZXC-FB PAC2512ZXG-FB	PAC2516ZTZ-FB	PAC2522ZTZ-FB	PAC2525ZTZ-FB
filter drier	●	●	●	●	●	●	●	●	●	●	●	●
fan with grill	●	●	●	●	●	●	●	●	●	●	●	●
*HP/LP (cartridge)	●	●	●	●	●	●	●	●	●	●	●	●
moisture indicator							●	●	●	●	●	●
solenoid valve							●	●	●	●	●	●
liquid receiver							●	●	●	●	●	●
service valves	●	●	●	●	●	●	●	●	●	●	●	●

*Note: Low Temp fully built condensing units are fitted with adjustable HP/LP

MEDIUM/HIGH BACK PRESSURE (M/HBP)

R-404A

	PAC4516ZXN-S PAC4516ZXG-S	PAC4522ZXN-S PAC4522ZXG-S	PAC4532ZXN-S PAC4532ZXG-S	PAC4538ZXN-S PAC4538ZXG-S	PAC4544ZXG-S	PAC4573ZTZ-S	PAC4581ZTZ-S	PAC4516ZXN-FB PAC4516ZXG-FB	PAC4522ZXN-FB PAC4522ZXG-FB	PAC4532ZXN-FB PAC4532ZXG-FB	PAC4538ZXN-FB PAC4538ZXG-FB	PAC4544ZXG-FB	PAC4573ZTZ-FB	PAC4581ZTZ-FB
filter drier	●	●	●	●	●	●	●	●	●	●	●	●	●	●
fan with grill	●	●	●	●	●	●	●	●	●	●	●	●	●	●
*HP/LP (cartridge)	●	●	●	●	●	●	●	●	●	●	●	●	●	●
moisture indicator								●	●	●	●	●	●	●
solenoid valve								●	●	●	●	●	●	●
liquid receiver								●	●	●	●	●	●	●
service valves	●	●	●	●	●	●	●	●	●	●	●	●	●	●

MEDIUM/HIGH BACK PRESSURE (M/HBP)

R-134a

	PAC4518YXC-S	PAC4518YXG-S	PAC4525YXC-S	PAC4525YXG-S	PAC4518YXG-FB	PAC4518YXG-FB	PAC4525YXC-FB	PAC4525YXG-FB
filter drier	●	●	●	●	●	●	●	●
fan with grill	●	●	●	●	●	●	●	●
*HP/LP (cartridge)	●	●	●	●	●	●	●	●
moisture indicator					●	●	●	●
solenoid valve					●	●	●	●
liquid receiver					●	●	●	●
service valves	●		●	●	●	●	●	●



SCOPE OF SUPPLY-STANDARD & FULLY BUILT

MEDIUM/HIGH BACK PRESSURE (M/HBP)

R-404A

	PAC4536ZXXN-S PAC4536ZXG-S	PAC4548ZXG-S	PAC4560ZXG-S	PAC4572ZXG-S	PAC4584ZXG-S	PAC4596ZXG-S	PAC4611ZXG-S	PAC4612ZXG-S	PAC4536ZXXN-FB PAC4536ZXG-FB	PAC4548ZXG-FB	PAC4560ZXG-FB	PAC4572ZXG-FB	PAC4584ZXG-FB	PAC4596ZXG-FB	PAC4611ZXG-FB	PAC4612ZXG-FB
filter drier	●	●	●	●	●	●	●	●	●	●	●	●	●	●	●	●
fan with grill	●	●	●	●	●	●	●	●	●	●	●	●	●	●	●	●
*HP/LP (catridge)	●	●	●	●	●	●	●	●	●	●	●	●	●	●	●	●
moisture indicator									●	●	●	●	●	●	●	●
solenoid valve									●	●	●	●	●	●	●	●
liquid receiver									●	●	●	●	●	●	●	●
service valves	●	●	●	●	●	●	●	●	●	●	●	●	●	●	●	●

MEDIUM BACK PRESSURE (MBP)

R-404A

	PAC4614ZXG-S	PAC4617ZXG-S	PAC4614ZXG-FB	PAC4617ZXG-FB
filter drier	●	●	●	●
fan with grill	●	●	●	●
*HP/LP (catridge)	●	●	●	●
discharge vibration eliminator	●	●	●	●
moisture indicator			●	●
solenoid valve			●	●
liquid receiver			●	●
suction accumulator	●	●	●	●
compressor roto lock valves	●	●	●	●

HIGH BACK PRESSURE (HBP)

R-407C

	PAC5570WXG-S	PAC5582WXG-S	PAC5595WXG-S	PAC5611WXG-S	PAC5612WXG-S
filter drier	●	●	●	●	●
fan with grill	●	●	●	●	●
*HP/LP (catridge)	●	●	●	●	●
discharge vibration eliminator					
moisture indicator					
solenoid valve					
liquid receiver	●	●	●	●	●

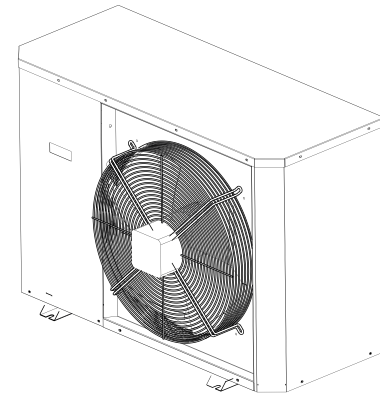
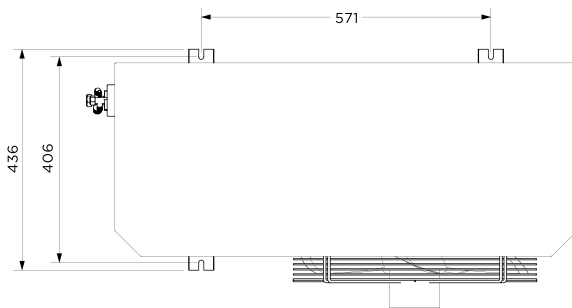
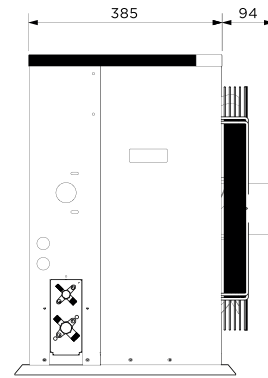
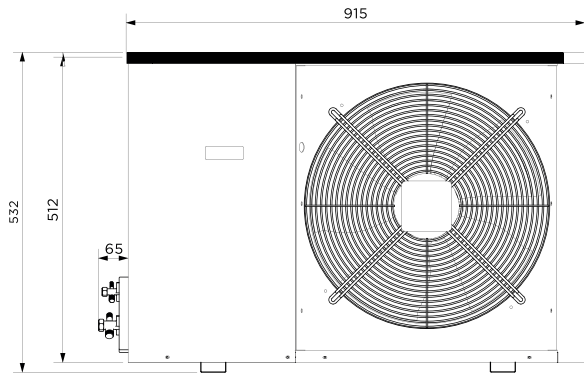
OPTIONAL ACCESSORIES

- suction accumulator
- oil separator
- MCP
- compressor contactor
- compressor over load relay
- defrost contactor

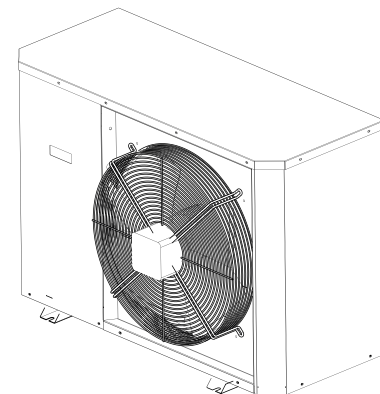
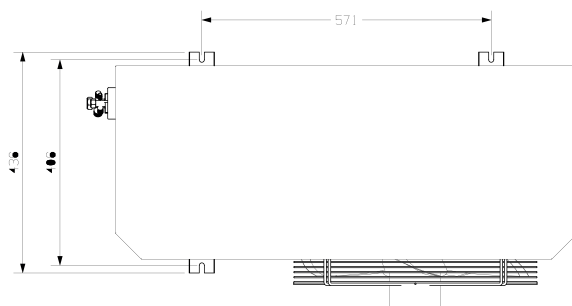
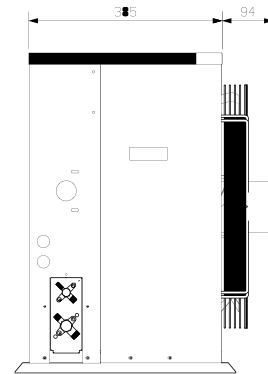
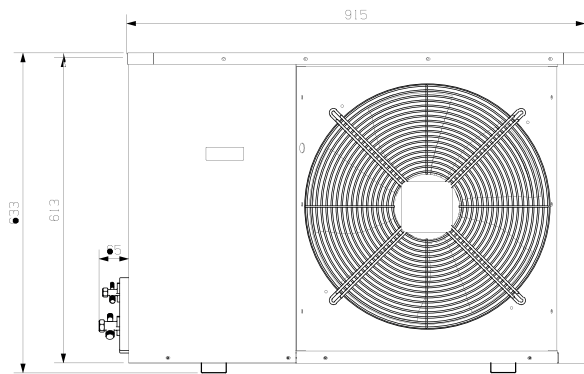


DRAWINGS

PAC 3 MINI



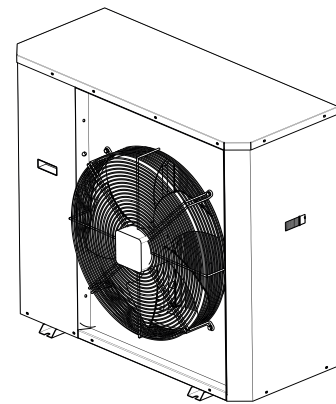
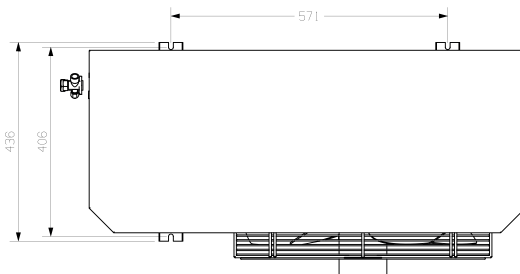
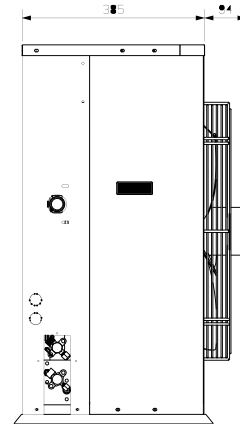
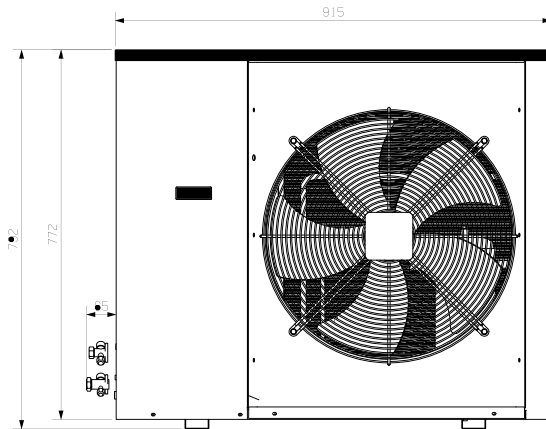
PAC 3 SMALL



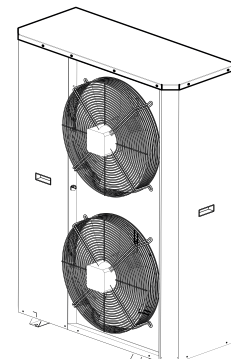
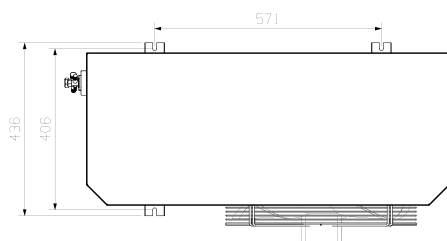
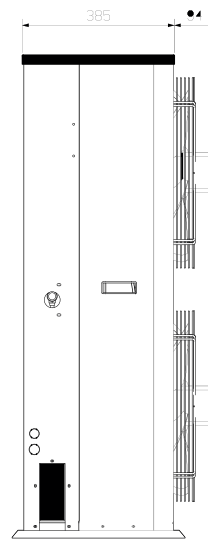
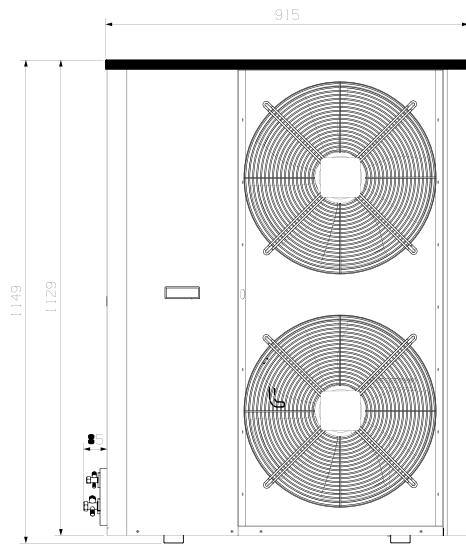


DRAWINGS

PAC 3 MEDIUM



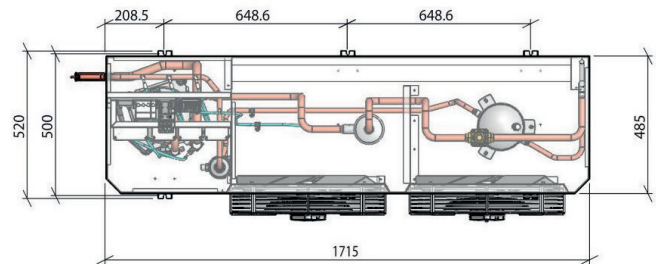
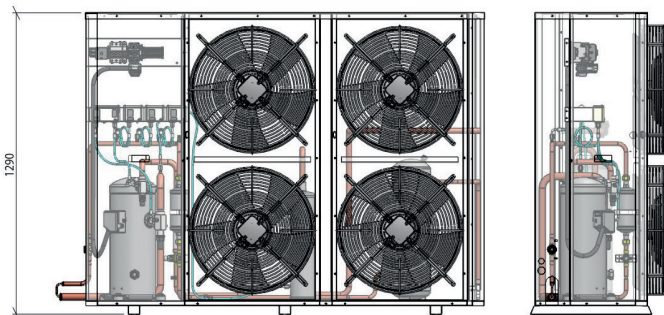
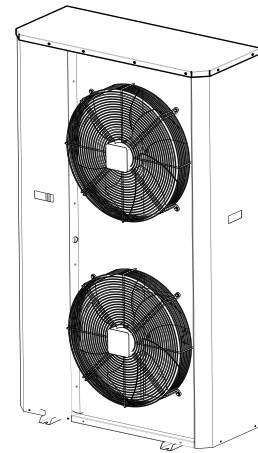
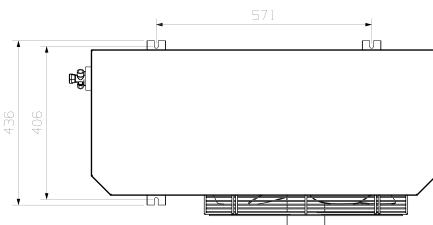
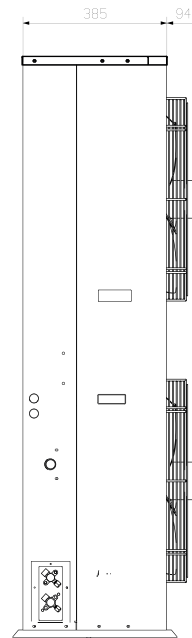
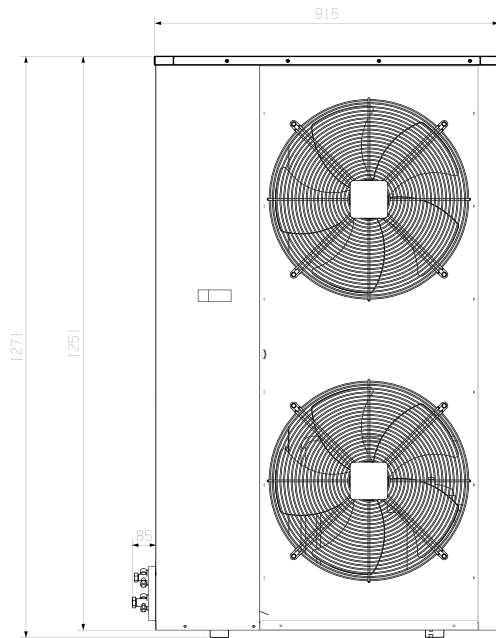
PAC 3 LARGE





DRAWINGS

PAC 3 EXTRA LARGE



Performance data are subject to change without prior notice.

TO FIND OUT MORE INFORMATION

- VISIT TECUMSEH.COM
- CONTACT OUR SALES REPRESENTATIVE

Produced by Tecumseh Products Company | All rights reserved | January 2026

