



tecumseh

pre-equipped indoor units range.



INDOOR CONDENSING UNITS

TH • **AE** • **AL** • **AW** • **AG**

TH
PLATFORM

365 - 2850 BTU/h

AE
PLATFORM

1170 - 5400 BTU/h

AL
PLATFORM

6046 - 8411 BTU/h

AW
PLATFORM

5800 - 37000 BTU/h

AG
PLATFORM

13530 - 62400 BTU/h

non contractual pictures

REFRIGERANT



APPLICATIONS

display case
reach-in
ice machine
cold room

NOMENCLATURE

EX	1	2	3	4	5	6
	THK	9410	Y	CG	N	A

- 1 Compressor Platform – THK, AE, AL, AW, TAG, etc
- 2 Compressor model as per Application and Capacity
- 3 Refrigerant – Y-R134a, Z-R404A, etc
- 4 Compressor voltage code – CG, JE, XN, XG, ZT, etc
- 5 N – India
- 6 A – Compressor, Condenser with Fan motor, Pencil Type Filter Drier
- 7 B – Compressor, Condenser with Fan motor, Liquid Receiver, Adjustable HP/LP

COOLING PERFORMANCE

230V 1PH 50Hz – FRACTIONAL HORSE POWER (FHP) STANDARD



LOW BACK PRESSURE (LBP)

new model nomenclature	compressor model	ASHRAE Evap -23.3°C Cond 54.4°C Liq 32°C / RG 32°C (BTU/h)	compressor power (W)	compressor current (A)	fan motor diameter (mm)	fan motor shaft power each (W)	fan motor current each (A)	n° of fan motors	fan motor input power each (W)	unit dimensions			net weight (kg)	gross weight (kg)
										L (mm)	W (mm)	H (mm)		
THK1374YFSNA	THK1374YFS	600	143	1.20	254	10	0.3	1	45	355	410	310	16	18
THK2390YJENA	THK2390YJE	770	160	0.85	254	10	0.3	1	45	355	410	310	16	18
THK2411YGHNA	THK2411YGH	910	202	1.40	254	10	0.3	1	45	355	410	310	16	18
AE2415YGHNA	AE2415YGH	1170	270	1.78	254	10	0.3	1	45	355	410	310	18	20

COMMERCIAL BACK PRESSURE (CBP)

new model nomenclature	compressor model	ASHRAE Evap -6.7°C Cond 54.4°C Liq 46°C / RG 35°C (BTU/h)	compressor power (W)	compressor current (A)	fan motor diameter (mm)	fan motor shaft power each (W)	fan motor current each (A)	n° of fan motors	fan motor input power each (W)	unit dimensions			net weight (kg)	gross weight (kg)
										L (mm)	W (mm)	H (mm)		
THK9414YJENA	THK9414YJE	1250	230	1.85	254	10	0.3	1	45	355	410	310	16	18
THK9417YJENA	THK9417YJE	1600	260	1.18	254	10	0.3	1	45	355	410	310	16	18

MEDIUM/HIGH BACK PRESSURE (M/HBP)

new model nomenclature	compressor model	ASHRAE Evap 7.2°C Cond 54.4°C Liq 46°C / RG 35°C (BTU/h)	compressor power (W)	compressor current (A)	fan motor diameter (mm)	fan motor shaft power each (W)	fan motor current each (A)	n° of fan motors	fan motor input power each (W)	unit dimensions			net weight (kg)	gross weight (kg)
										L (mm)	W (mm)	H (mm)		
THK4430YGSNA	THK4430YGS	2850	347	1.85	254	10	0.3	1	45	355	410	310	16	18
AE4440YGHNA	AE4440YGH	3650	417	2.00	254	10	0.3	1	45	355	410	310	18	20
AE4460YGHNA	AE4460YGH	5400	635	3.00	254	10	0.3	1	45	355	410	310	18	20
AL4461YFZNA	AL4461YFZ	6046	679	4.17	254	16	0.35	1	50	355	410	310	20	22
AL4480YFZNA	AL4480YFZ	6700	755	3.50	254	16	0.35	1	50	355	410	310	20	22

COOLING PERFORMANCE

230V 1PH 50Hz - FRACTIONAL HORSE POWER (FHP) LOW HEIGHT



LOW BACK PRESSURE (LBP)

new model nomenclature	compressor model	ASHRAE Evap -23.3°C Cond 54.4°C Liq 32°C / RG 32°C (BTU/h)	compressor power (W)	compressor current (A)	fan motor diameter (mm)	fan motor shaft power each (W)	fan motor current each (A)	n° of fan motors	fan motor input power each (W)	unit dimensions			net weight (kg)	gross weight (kg)
										L (mm)	W (mm)	H (mm)		
THK1340YCFNA	THK1340YCF	365	94	0.80	200	10	0.3	1	45	285	360	265	16	18
THK1365YCGNA	THK1365YCG	540	128	1.00	200	10	0.3	1	45	285	360	265	16	18
THK241IYGHNA	THK241IYGH	910	202	1.40	200	10	0.3	1	45	310	425	265	16	18
AE2415YGHNA	AE2415YGH	1170	270	1.78	200	10	0.3	1	45	310	425	265	18	20

COMMERCIAL BACK PRESSURE (CBP)

new model nomenclature	compressor model	ASHRAE Evap -6.7°C Cond 54.4°C Liq 46°C / RG 35°C (BTU/h)	compressor power (W)	compressor current (A)	fan motor diameter (mm)	fan motor shaft power each (W)	fan motor current each (A)	n° of fan motors	fan motor input power each (W)	unit dimensions			net weight (kg)	gross weight (kg)
										L (mm)	W (mm)	H (mm)		
THK9410YCGNA	THK9410YCG	940	175	1.40	200	10	0.3	1	45	285	360	265	16	18
THK9414YJENA	THK9414YJE	1250	230	1.85	200	10	0.3	1	45	310	425	265	16	18
THK9417YJENA	THK9417YJE	1600	260	1.18	200	10	0.3	1	45	285	360	265	16	18

MEDIUM/HIGH BACK PRESSURE (M/HBP)

new model nomenclature	compressor model	ASHRAE Evap 7.2°C Cond 54.4°C Liq 46°C / RG 35°C (BTU/h)	compressor power (W)	compressor current (A)	fan motor diameter (mm)	fan motor shaft power each (W)	fan motor current each (A)	n° of fan motors	fan motor input power each (W)	unit dimensions			net weight (kg)	gross weight (kg)
										L (mm)	W (mm)	H (mm)		
THK4420YGSNA	THK4420YGS	1725	212	1.55	200	10	0.3	1	45	285	360	265	16	18
THK4428YCGNA	THK4428YCG	2370	310	2.15	200	10	0.3	1	45	310	425	265	16	18
THK4430YGSNA	THK4430YGS	2850	347	1.85	200	10	0.3	1	45	285	360	265	16	18
AE4440YGHNA	AE4440YGH	3650	417	2.00	200	10	0.3	1	45	285	360	265	18	20
AE4460YGHNA	AE4460YGH	5400	635	3.00	200	10	0.3	1	45	285	360	265	18	20
AE4460YGHNA	AE4460YGH	5400	635	3.00	200	10	0.3	2	45	400	500	240	23	25

COOLING PERFORMANCE

230V 1PH 50Hz - FRACTIONAL HORSE POWER (FHP) STANDARD



LOW BACK PRESSURE (LBP)

new model nomenclature	compressor model	ASHRAE Evap -23.3°C Cond 54.4°C Liq 32°C / RG 32°C (BTU/h)	compressor power (W)	compressor current (A)	fan motor diameter (mm)	fan motor shaft power each (W)	fan motor current each (A)	n° of fan motors	fan motor input power each (W)	unit dimensions			net weight (kg)	gross weight (kg)
										L (mm)	W (mm)	H (mm)		
AE2415ZFZNA	AE2415ZFZ	1250	307	1.95	254	16	0.35	1	50	355	410	310	18	20
AE2420ZGSNA	AE2420Z	1691	576	2.90	254	16	0.35	1	50	355	410	310	18	20
AE2425ZFZNA	AE2425ZFZ	2250	450	2.40	254	16	0.35	1	50	355	410	310	18	20
AE2430ZFZNA	AE2430ZFZ	2700	587	3.10	254	16	0.35	1	50	355	410	310	18	20

LOW/MEDIUM BACK PRESSURE (L/MBP)

new model nomenclature	compressor model	ASHRAE Evap -23.3°C Cond 54.4°C Liq 32°C / RG 32°C (BTU/h)	compressor power (W)	compressor current (A)	fan motor diameter (mm)	fan motor shaft power each (W)	fan motor current each (A)	n° of fan motors	fan motor input power each (W)	unit dimensions			net weight (kg)	gross weight (kg)
										L (mm)	W (mm)	H (mm)		
ALX445ZFZNA	ALX445ZFZ	6290	1057	3.36	254	16	0.35	1	50	355	410	310	20	22
		3700	706	3.36	254	16	0.35	1	50	355	410	310	20	22

HIGH/MEDIUM BACK PRESSURE (H/MBP)

new model nomenclature	compressor model	ASHRAE Evap -7.2°C Cond 54.4°C Liq 46°C / RG 35°C (BTU/h)	compressor power (W)	compressor current (A)	fan motor diameter (mm)	fan motor shaft power each (W)	fan motor current each (A)	n° of fan motors	fan motor input power each (W)	unit dimensions			net weight (kg)	gross weight (kg)
										L (mm)	W (mm)	H (mm)		
AL4510ZFZNA	AL4510ZFZ	8411	1097	5.14	254	16	0.35	1	50	355	410	310	20	22

COOLING PERFORMANCE

230V 1PH 50Hz - HIGH HORSE POWER (HHP) STANDARD

R-134a

MEDIUM/HIGH BACK PRESSURE (M/HBP)

new model nomenclature	compressor model	ASHRAE Evap 7.2°C Cond 54.4°C Liq 46°C / RG 35°C (BTU/h)	compressor power (W)	compressor current (A)	fan motor diameter (mm)	fan motor shaft power each (W)	fan motor current each (A)	n° of fan motors	fan motor input power each (W)	unit dimensions			net weight (kg)	gross weight (kg)
										L (mm)	W (mm)	H (mm)		
AWS4515YGENB	AWS4515YGE	12500	1200	5.40	350	78	0.65	1	140	512	607	445	70	95
AWS4518YXCNB	AWS4518YXC	15500	1490	6.75	350	78	0.65	1	140	512	607	445	70	95
AWS4525YXCNB	AWS4525YXC	21200	2040	9.50	350	78	0.65	1	140	512	607	445	70	95

R-404A

LOW BACK PRESSURE (LBP)

new model nomenclature	compressor model	ASHRAE Evap -23.3°C Cond 54.4°C Liq 32°C / RG 32°C (BTU/h)	compressor power (W)	compressor current (A)	fan motor diameter (mm)	fan motor shaft power each (W)	fan motor current each (A)	n° of fan motors	fan motor input power each (W)	unit dimensions			net weight (kg)	gross weight (kg)
										L (mm)	W (mm)	H (mm)		
AWS2470ZGENB	AWS2470ZGE	5800	1300	7.90	350	78	0.65	1	140	512	607	445	70	95
AWS2495ZGENB	AWS2495ZGE	8350	1250	7.50	350	78	0.65	1	140	512	607	445	70	95
AWS2512ZXCNB	AWS2512ZXC	12000	2330	11.00	350	78	0.65	1	140	512	607	445	70	95

HIGH/MEDIUM BACK PRESSURE (H/MBP)

new model nomenclature	compressor model	ASHRAE Evap 7.2°C Cond 54.4°C Liq 46°C / RG 35°C (BTU/h)	compressor power (W)	compressor current (A)	fan motor diameter (mm)	fan motor shaft power each (W)	fan motor current each (A)	n° of fan motors	fan motor input power each (W)	unit dimensions			net weight (kg)	gross weight (kg)
										L (mm)	W (mm)	H (mm)		
AWS4516ZXNNB	AWS4516ZXN	14000	1490	9.40	350	78	0.65	1	140	512	607	445	70	95
AWS4522ZXNNB	AWS4522ZXN	20200	2120	11.45	350	78	0.65	1	140	512	607	445	70	95
AWS4532ZXNNB	AWS4532ZXN	27000	2900	17.60	450	130	1.2	1	250	591	630	540	75	100
AWS4538ZXNNB	AWS4538ZXN	31900	3075	5.35	450	130	1.2	1	250	591	630	540	75	100

COOLING PERFORMANCE

380V 3PH 50Hz - HIGH HORSE POWER (HHP) STANDARD



MEDIUM/HIGH BACK PRESSURE (M/HBP)

new model nomenclature	compressor model	ASHRAE Evap 7.2°C Cond 54.4°C Liq 46°C / RG 35°C (BTU/h)	compressor power (W)	compressor current (A)	fan motor diameter (mm)	fan motor shaft power each (W)	fan motor current each (A)	n° of fan motors	fan motor input power each (W)	unit dimensions			net weight (kg)	gross weight (kg)
										L (mm)	W (mm)	H (mm)		
AWS4518YXGNB	AWS4518YXG	15000	1450	2.50	350	78	0.65	1	140	512	607	445	70	95
AWS4525YXGNB	AWS4525YXG	20480	1965	3.38	350	78	0.65	1	140	512	607	445	70	95



LOW BACK PRESSURE (LBP)

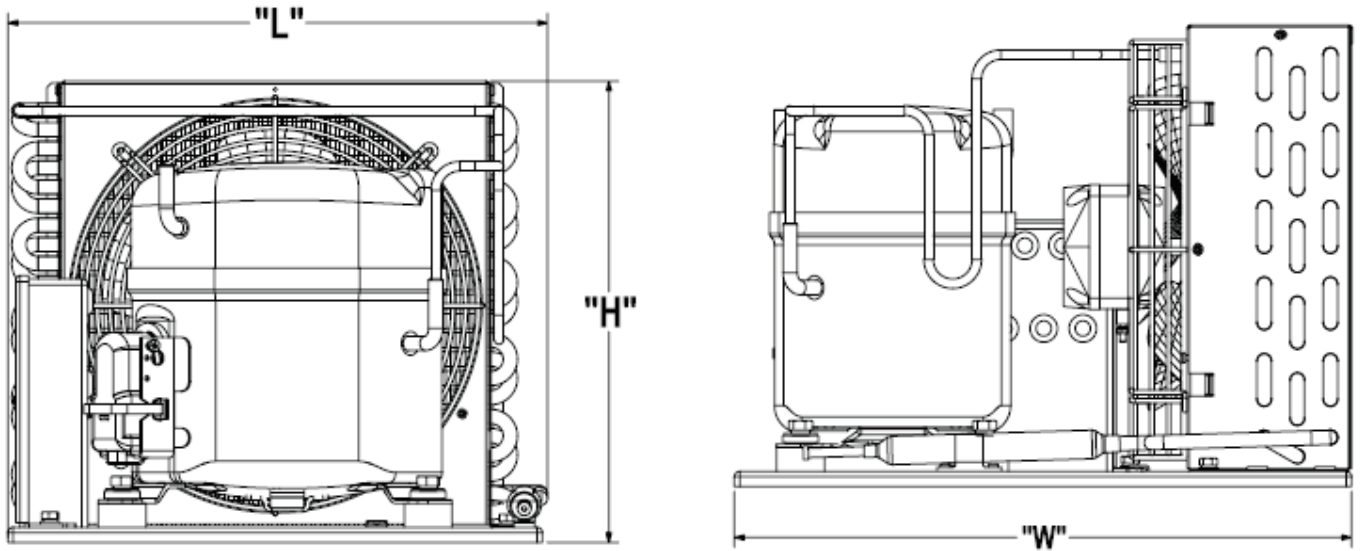
new model nomenclature	compressor model	ASHRAE Evap -23.3°C Cond 32°C / Liq 32°C / RG 32°C (BTU/h)	compressor power (W)	compressor current (A)	fan motor diameter (mm)	fan motor shaft power each (W)	fan motor current each (A)	n° of fan motors	fan motor input power each (W)	unit dimensions			net weight (kg)	gross weight (kg)
										L (mm)	W (mm)	H (mm)		
AWS2495ZXGNB	AWS2495ZXG	8350	1572	3.10	350	78	0.65	1	140	512	607	445	70	95
AWS2512ZTZNB	AWS2512ZTZ	11500	2270	4.20	350	78	0.65	1	140	512	607	445	70	95
TAG2516ZTZNB	TAG2516ZTZ	13530	3011	5.40	450	130	1.2	1	250	591	630	540	105	130
TAG2522ZTZNB	TAG2522ZTZ	18270	3624	6.50	450	130	1.2	1	250	591	630	540	105	130
TAG2525ZTZNB	TAG2525ZTZ	20454	4078	7.00	450	130	1.2	1	250	591	630	540	105	130

HIGH/MEDIUM BACK PRESSURE (H/MBP)

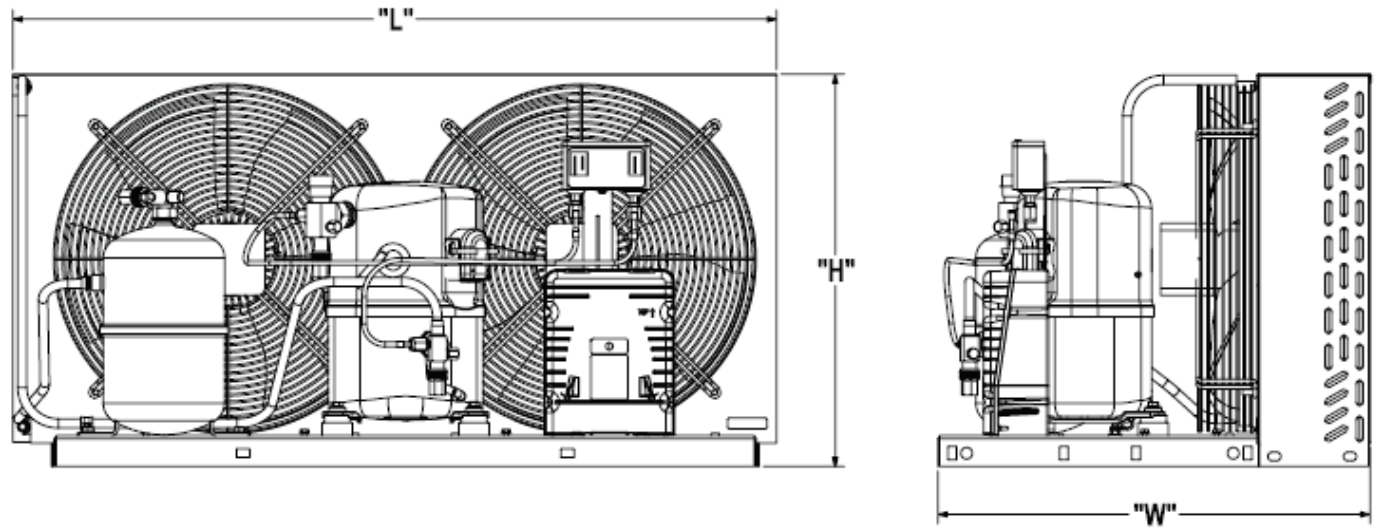
new model nomenclature	compressor model	ASHRAE Evap 7.2°C Cond 54.4°C Liq 46°C / RG 35°C (BTU/h)	compressor power (W)	compressor current (A)	fan motor diameter (mm)	fan motor shaft power each (W)	fan motor current each (A)	n° of fan motors	fan motor input power each (W)	unit dimensions			net weight (kg)	gross weight (kg)
										L (mm)	W (mm)	H (mm)		
AWS4516ZXGNB	AWS4516ZXG	13500	1440	2.52	350	78	0.65	1	140	512	607	445	70	95
AWS4522ZXGNB	AWS4522ZXG	19400	2000	3.20	350	78	0.65	1	140	512	607	445	70	95
AWS4524ZXGNB	AWS4524ZXG	19400	2000	3.20	450	130	1.2	1	250	591	630	540	75	100
AWS4532ZXGNB	AWS4532ZXG	25600	2640	4.12	450	130	1.2	1	250	591	630	540	75	100
AWS4538ZXGNB	AWS4538ZXG	31900	3075	5.35	450	130	1.2	1	250	591	630	540	75	100
AWS4544ZXGNB	AWS4544ZXG	37000	4060	6.70	450	130	1.2	2	250	1060	601	557	95	125
TAG4573ZTZNB	TAG4573Z-TZ	58000	7143	12.70	450	130	1.2	2	250	1060	625	557	105	150
TAG4581ZTZNB	TAG4581Z-TZ	62400	7942	12.70	450	130	1.2	2	250	1060	625	557	105	150

DRAWINGS

FRACTIONAL HORSE POWER (FHP)



HIGH HORSE POWER (HHP)



TO FIND OUT MORE INFORMATION

- VISIT TECUMSEH.COM
- CONTACT OUR SALES FORCE





tecumseh